

Comprimo 55

Item number: 226155

Material: Vitreous china

Color/Finish: White/ unfinished back wall

Installation: Wall-mount, or above-counter

Overall Dimensions: 21.7" L x 14.7" W x 6.7" H

Interior Dimensions (basin area): 19.3" L x 8.9" W x 4.7" H

Foot print: 21" L x 14.1" W

Drain hole: 1-3/4" Interior Diameter

Faucet hole: 1-3/8" Diameter

Approx. weight: 30 lbs

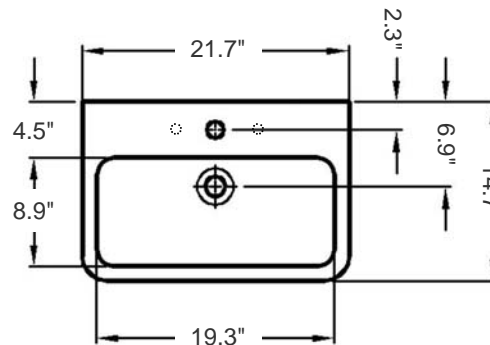
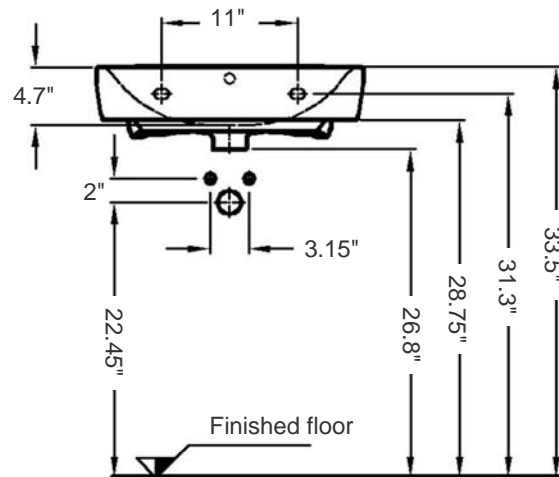
Features: Overflow, one predrilled faucet hole, and two prepared to drill 8" centers faucet holes

Included components: Wall-mounting fixing bolts Kit

Recommended accessories (not included): Oversized European drain, e.g. Delta push pop-up Drain Ref. 72173

Options (not included and sold separately):

- Vitreous china Full Pedestal i.e. Item # MD4910
- Vitreous china Semi Pedestal (shroud) i.e. Item # 296250
- Glossy white one-door Vanity Cabinet i.e. Item # 862055



All dimensions are nominal

Faucet and drain fittings not included. Shown only for photographic purposes

BISSONNET

Tel. (610) 454-1295 · Fax (610) 454-9385 · info@bissonnet.net · www.bissonnet.net

Comprimo

Wall-mount or freestanding one-door Vanity Cabinet with white ceramic Sink

Item number: 862055-226155

Overall Dimensions: 21.7" L x 14.7" W x 27.7" H

Basin Area (basin interior dimensions): 19.3" L x 8.9" W x 4.7" H

Approx. total weight: 60 lbs (vanity cabinet + sink)

Material:

Vanity cabinet: Moisture resistant melamine-faced chipboard (body)/ MDF (door front)

Door handle & vanity legs: Anodize Aluminum

Sink: Vitreous china

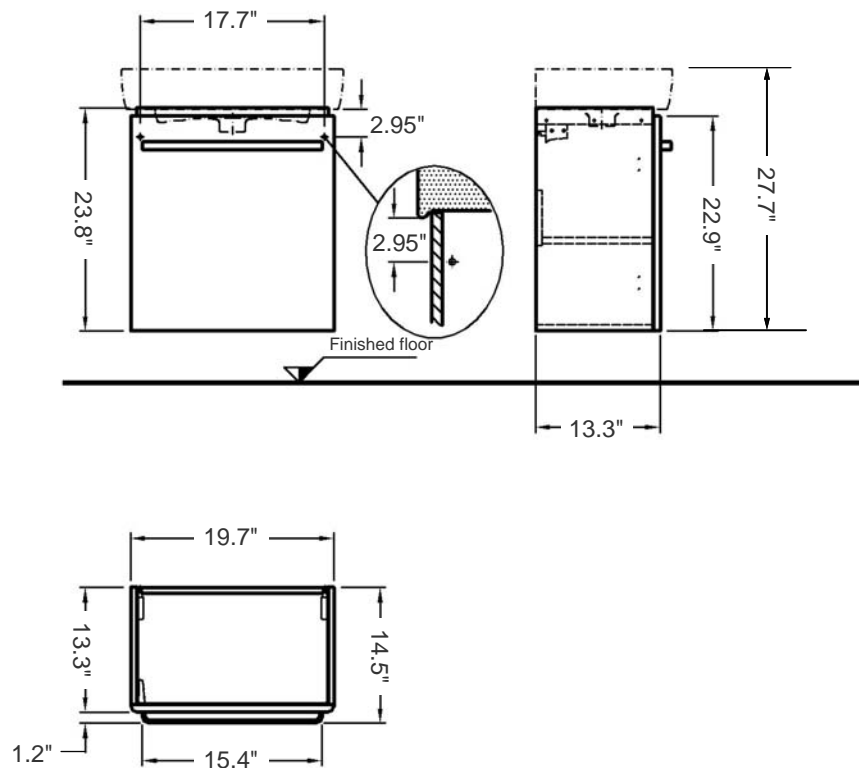
Color/Finish:

Vanity cabinet: Glossy white (door front)/ Matte white (body)/ Polished chrome (door handle)

Ceramic sink: White

Features: Soft-closing cabinet hinges, one interior fixed shelf, and ceramic sink with overflow and one faucet hole

Options (not included and sold separately): 2-pc Set, 6" H vanity Legs in polished chrome finish, i.e. Ref. 500550



All dimensions are nominal

Faucet not included. Shown only for photographic purposes

BISSONNET

Tel. (610) 454-1295 · Fax (610) 454-9385 · info@bissonnet.net · www.bissonnet.net